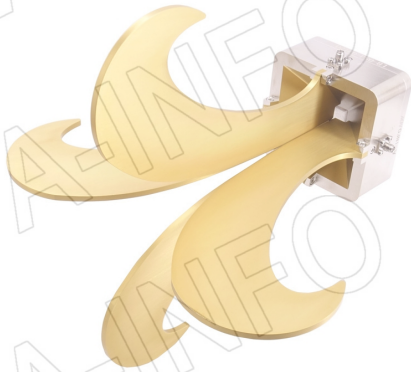


For reference only. See data sheet for the detailed specifications.

Technical Specification

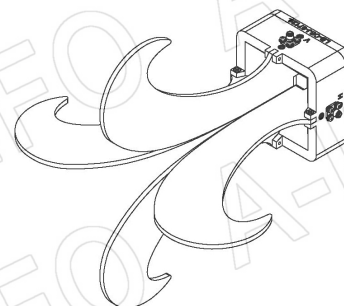
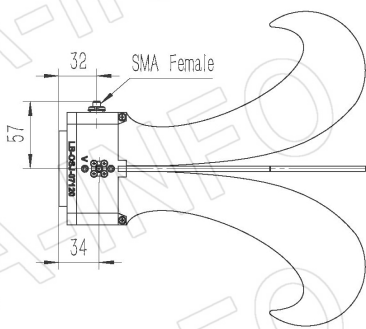
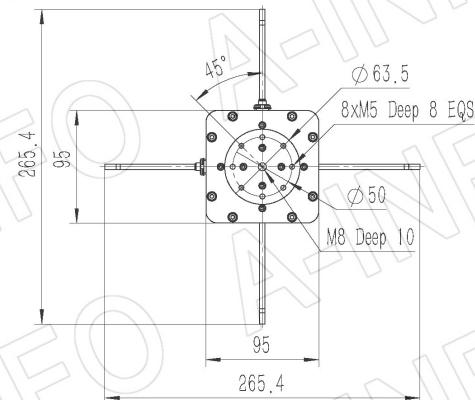
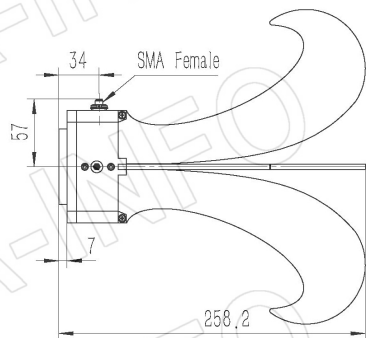


Frequency Range(GHz)	0.7 - 12.0
Gain(dBi)	12 Typ.
Polarization	Dual Linear
3dB Beamwidth(deg)	E Plane: 93 - 26
	H Plane: 177 - 24
Cross Pol. Isolation(dB)	25 Typ. ; 15 Min.
Port to Port Isolation(dB)	30 Typ. ; 20 Min.
VSWR	2.0:1 Typ.
Connector	SMA-Female or N-Female
Power Handling(W CW)	SMA-Female: 50 Max.
	N-Female: 50 Max.
Material	Al
Finish	Chemical Conversion Coating and Nickel Plated
Size(mm)	265.4 x 265.4 x 258.2
Net Weight(Kg)	1.54 Around

Outline Drawing (Size: mm)

SMA-Female Output (P/N: LB-OSJ-07100-SF)

For N-Female output outline drawing, please contact A-INFO.



AINFO Inc.

China(Beijing): Tel: (+86) 10-6266-7326,
China(Chengdu): Tel: (+86) 28-8519-2786,
USA: Tel: (+1) 949-639-9688,

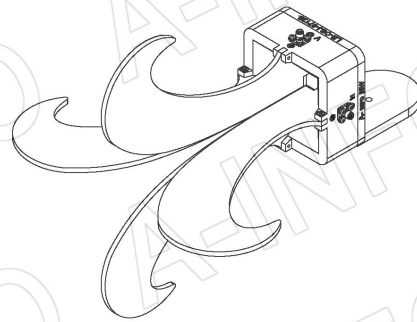
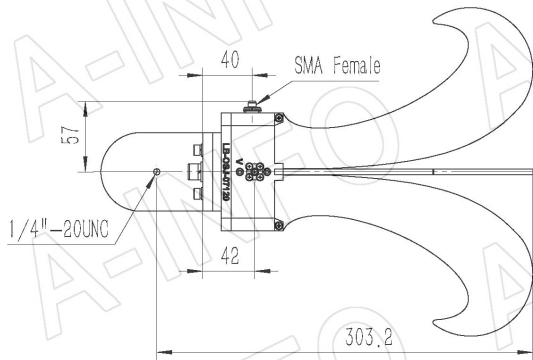
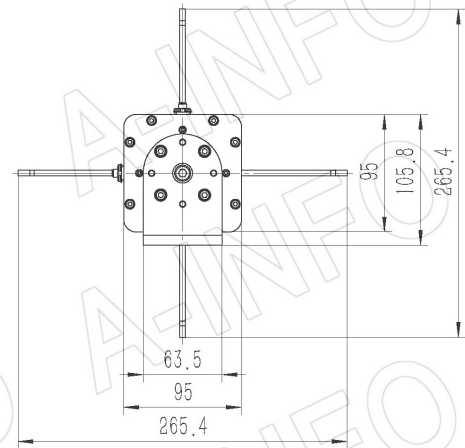
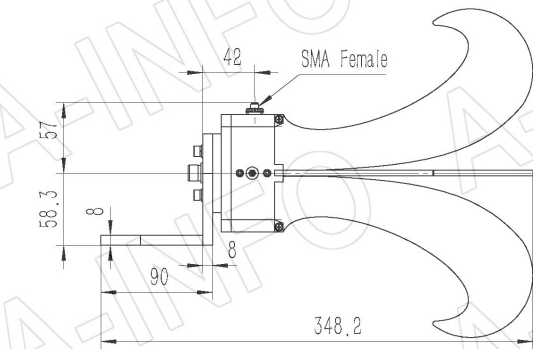
Page 1 of 10

(+86) 10-6266-7327 Fax: (+86) 10-6266-7379
(+86) 28-8519-3044 Fax: (+86) 28-8519-3068
(+1) 949-639-9608 Fax: (+1) 949-639-9670

Website: www.ainfoinc.com
Email: sales@ainfoinc.com

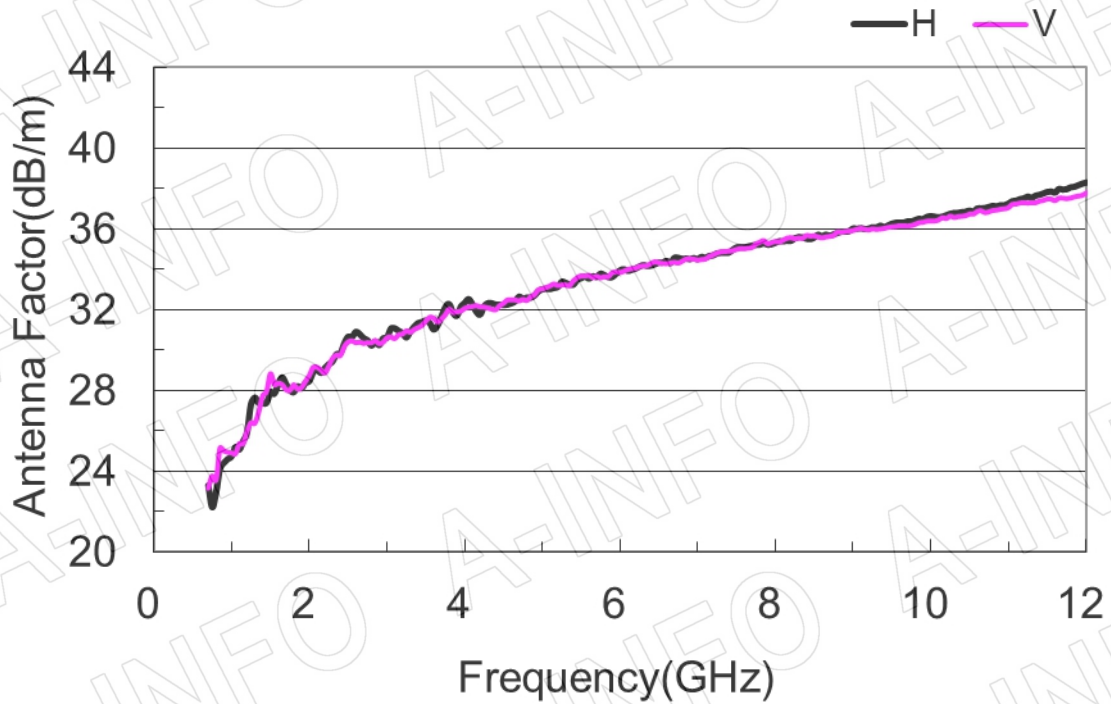
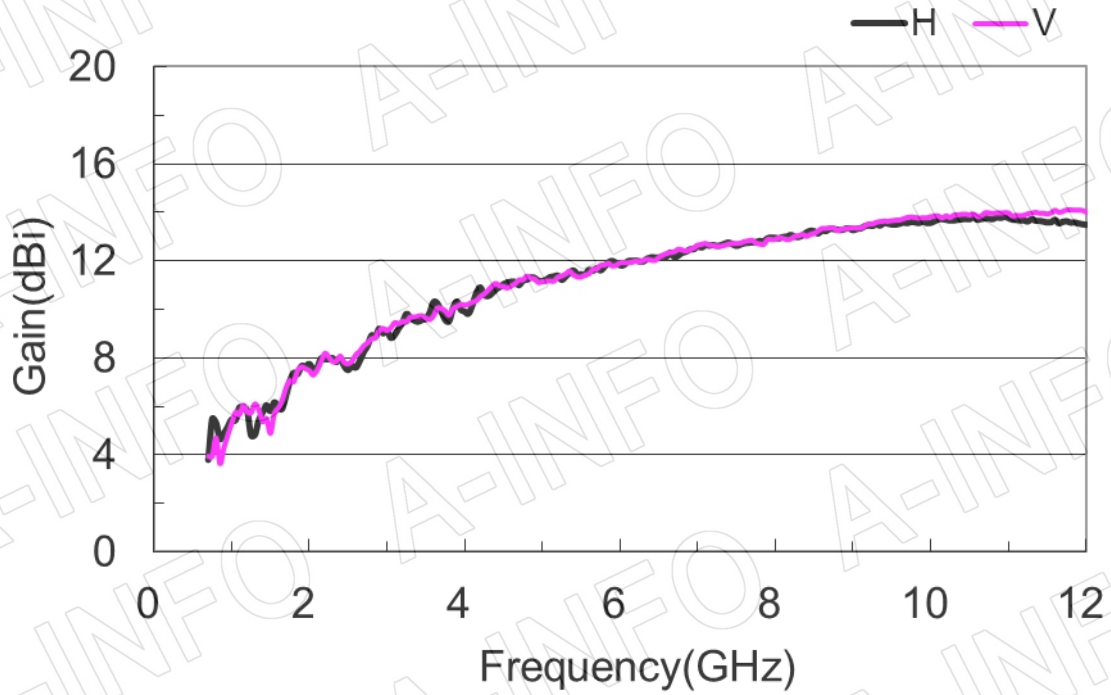
SMA-Female Output with L Type Mounting Bracket (Option, P/N: LB-10180-L)

For N-Female output outline drawing, please contact A-INFO.

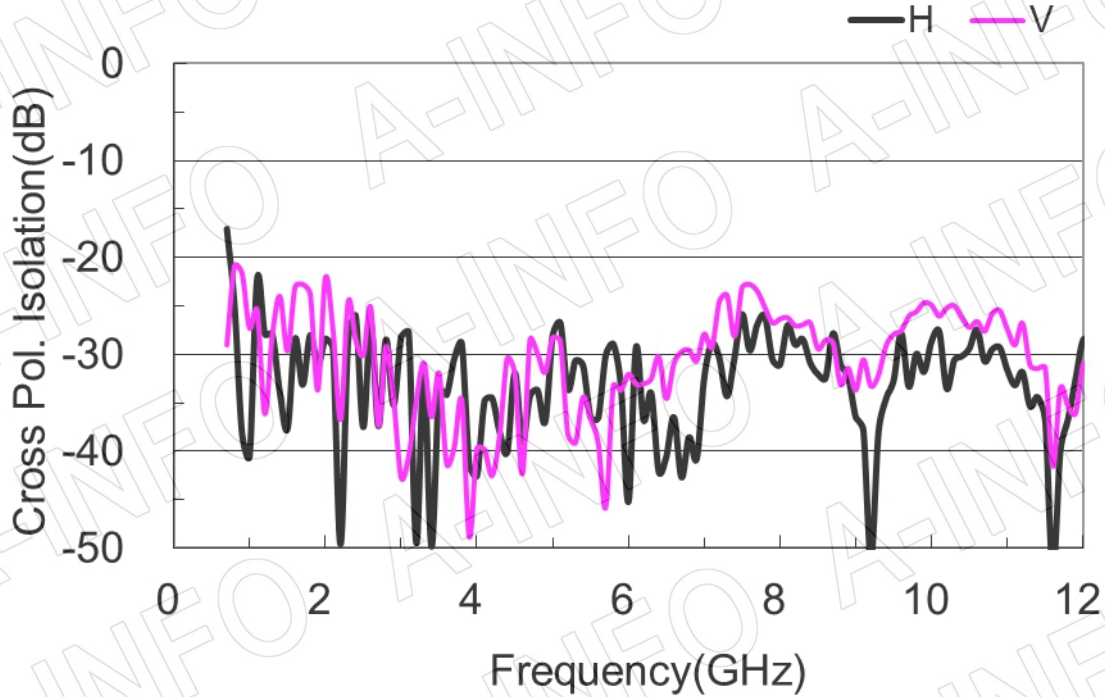


Test Results

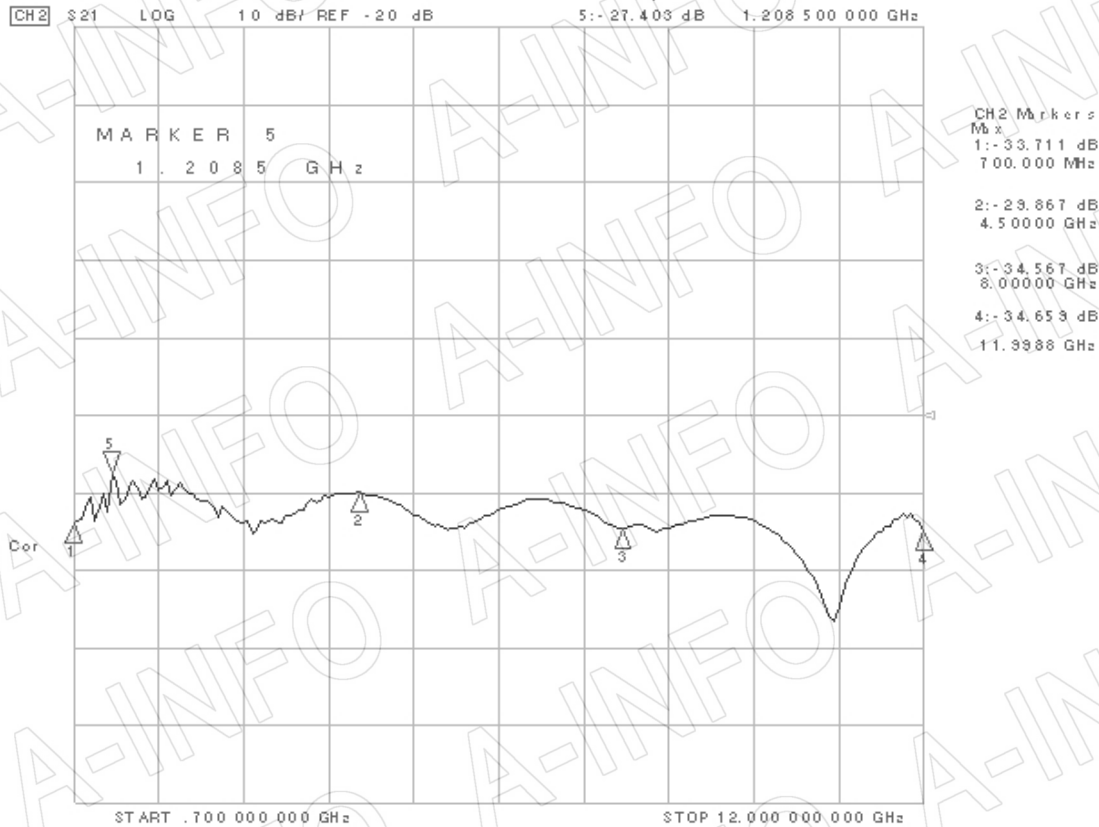
1. Gain & Antenna Factor



2. Cross Polarization Isolation

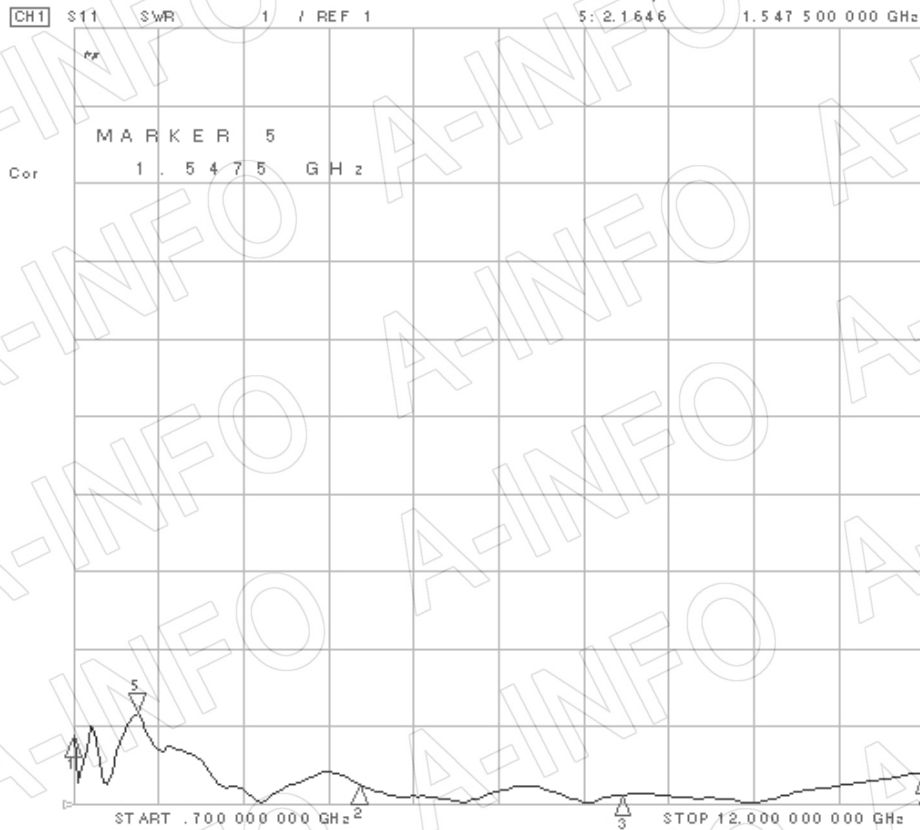


3. Port to Port Isolation

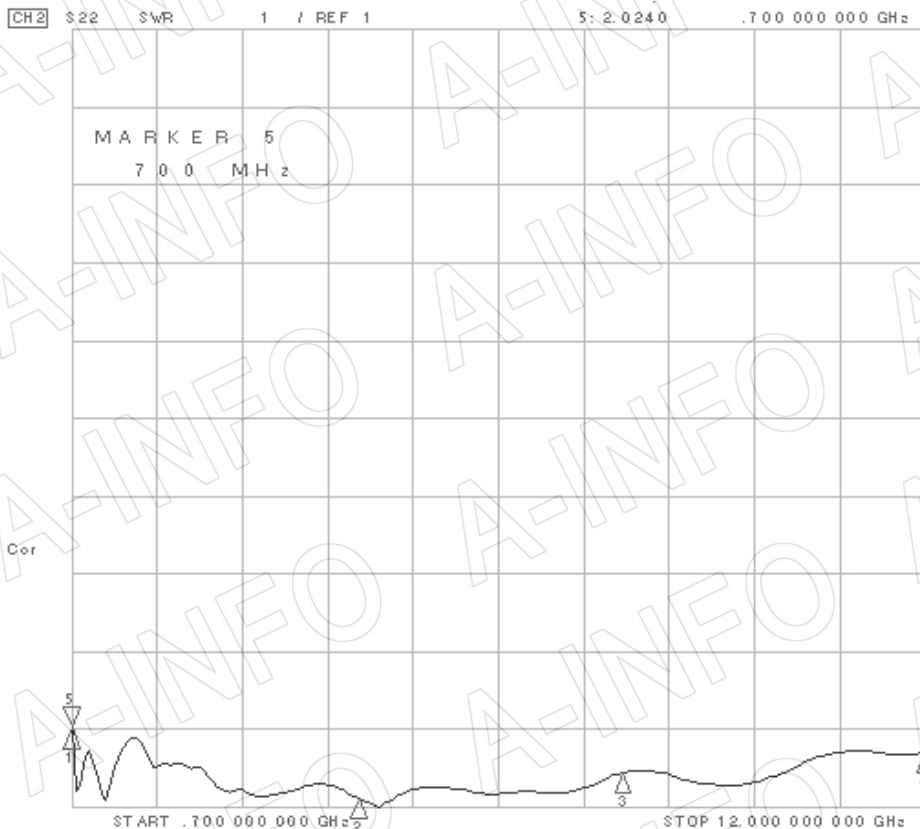


4. VSWR

Port-H



Port-V



5. Pattern

